

# NetGuardian 420



*New medium-capacity SNMPv3 RTU with built-in terminal server.*

## Benefits of the NetGuardian 420

- **Just right alarm capacity - In between the NetGuardian 832A and 216**
- **4-port terminal server for reach through access to operate equipment via LAN**
- **Updated web interface**
- **D-Wire, 12VDC sensor power, and 10/100 BaseT switch options**
- **Serial port options include RS232, RS485, and 202 modem**
- **20 discrettes, 4 control relays, and up to 6 analogs**
- **Upgraded web interface with faster refresh and analog gauges**
- **Supports SNMPv1, v2c and v3**
- **Supports RADIUS authentication**
- **HTTPS (secure web), real-time clock, and dialup modem options available**
- **Alarm capacity expandable via NetGuardian DX, just like the G5**
- **Alarm notifications include Email, pager, and text messaging**
- **32 ping targets to verify network devices are always online**
- **Available with wire wrap adaptor for simple alarm termination**

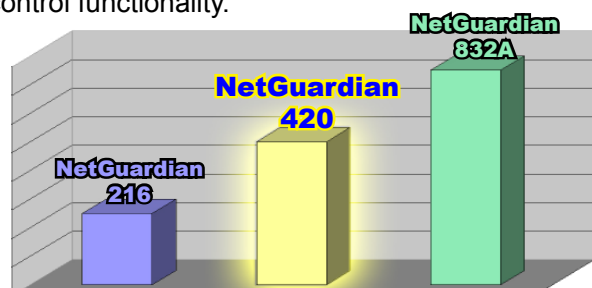
## Overview

Do you have sites where a large-capacity RTU isn't necessary, but you still need advanced functions like a built-in terminal server? Those are exactly the kinds of sites for which the NetGuardian 420 was designed. Like a lot of networks, you probably have those "in-between capacity" sites that aren't exactly small, but they don't require a big RTU with capacity you'll never use. For those sites, consider this "just right" SNMP RTU.

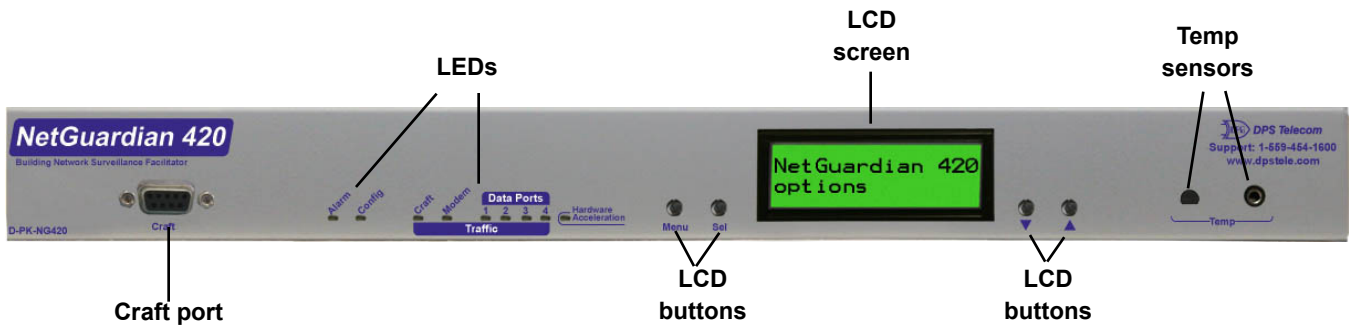
This new NetGuardian 420 has 20 discrete inputs to collect alarms from a variety of equipment and up to 6 analog inputs for monitoring sensors, battery levels, generator fuel levels, and other important values. Plus, it has a built-in terminal server for remotely accessing serial equipment. This saves on all those costly truck rolls.

The NetGuardian 420 is the first RTU to fit between the capacity of the NetGuardian 832A and the NetGuardian 216. This new RTU is just as advanced and intuitive as the G5.

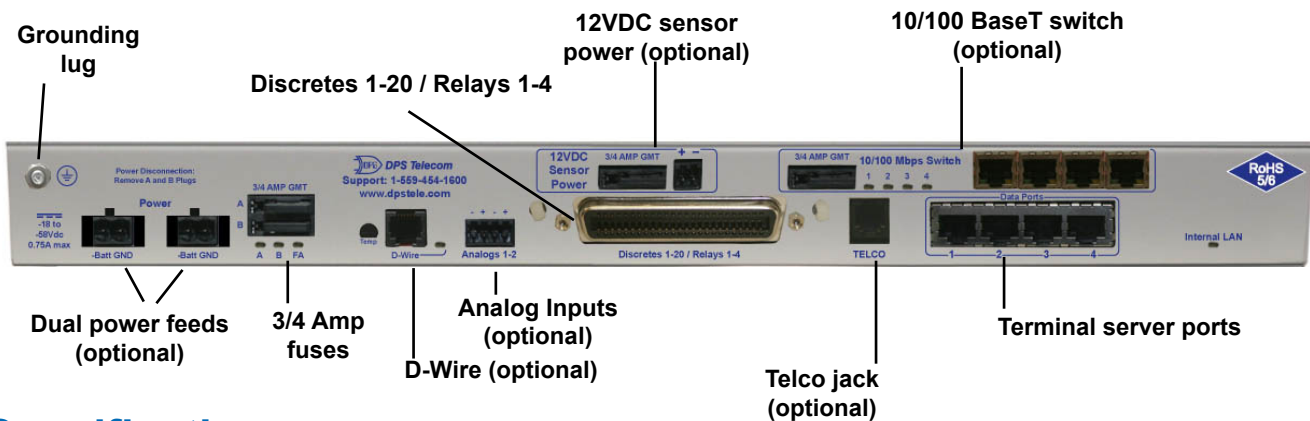
This means you get an SNMPv3-capable RTU with RADIUS authentication and a 4-port terminal server, plus 25% more alarm capacity than the NetGuardian 216. When those sites eventually need more alarm capacity, expand your coverage with a NetGuardian DX Expansion. Ordered with RS-485 ports, the NetGuardian 420 can also operate up to 16 Entry Control Units (ECUs) and provide building access control functionality.



## Front Panel



## Back Panel



## Specifications

<b>Discrete Alarms:</b>	20	<b>Interfaces:</b>	4 RJ45 Yost serial ports (terminal server), 1 RJ45 10/100 Ethernet port, 1 RJ11 telco jack, 1 - 50-pin amphenol connector for discretes & relays, 1 - 4-pin screw plug for analogs
<b>Analogs:</b>	Up to 6 (2 user-definable, 1 internal temp, 1 external temp, 2 for power feed monitoring)	<b>Dimensions:</b>	1.75" H x 17" W x 7.5" D
<b>Control Relays:</b>	4 (2 Form A, 2 Form C)	<b>Mounting:</b>	19" or 23" rack
<b>Max. Voltage:</b>	60VDC / 120VAC	<b>Visual Interface:</b>	LCD display, 9 bi-color LEDs, 5 uni-color LEDs
<b>Max. Current:</b>	1 Amp, AC/DC	<b>Audible:</b>	Front panel alarm speaker
<b>Ping Alarms:</b>	32	<b>Operating Temp:</b>	32°-140° F (0°-60° C)
<b>Protocols:</b>	SNMPv1, v2c, and v3 DCPx, DCPf, TRIP, SNPP, SMTP, TAP, HTTP, FTP, Telnet, ICMP, RA-DIUS	<b>Operating Humidity:</b>	0% -95% non-condensing
<b>Modem:</b>	33.6K internal (optional)	<b>Build Options:</b>	Real-time clock, HTTPS (secure web), telco dialup, temp sensors, analogs, battery & voltage monitoring, industrial temp, dual power, serial port options: RS232, RS485, or 202 modem, 10/100 Ethernet switch, D-Wire, +12/+24 sensor power
<b>Power Input Options:</b>	-48VDC (-36 to -72VDC) (Optional) -24VDC (-18 to -36VDC) (Optional) Wide Range -24/-48VDC (-18 to -72 VDC) (Optional) +24VDC (+18 to +36VDC)	<b>RoHS:</b>	5 of 6
<b>Current Draw:</b>	500mA @ -48VDC		
<b>Fuse:</b>	3/4 Amp GMT		
<b>Weight:</b>	3.5 lbs		

 **Call 1-800-622-3314 For Pricing**

"If you buy our equipment and are not satisfied for any reason during the first 30 days, simply return it for a full refund."

Visit our website at [www.dpstele.com](http://www.dpstele.com)  
4955 East Yale Avenue, Fresno, California 93727 • 800-622-3314 • Fax 559-454-1688