

NetGuardian 832A 16S G5



With 16 serial ports, two separate Ethernet cards, SNMP v2c support, powerful alarm collection and versatile alarm reporting via SNMP Trap, email and pager, the NetGuardian 832A G5 can handle any alarm monitoring need.

NetGuardian 832A 16S G5 Benefits

- **Fastest processing speed of any previous NetGuardian model**
- **Dual power feeds with separate A and B fuses for increased reliability**
- **Dual 10/100 BaseT NICs**
- **16 RS232 ports and 1 RS485 port for increased terminal server functionality**
- **Increased RAM and flash memory for future software applications**
- **Supports SNMP v1, v2c, & v3 (Traps & Informs)**
- **Firmware upgradeable via LAN**
- **HTTPS option for secure encryption (SSL) on Web interface**
- **32 discrete alarms, 32 ping alarms, 8 analog alarms and 8 control relays**
- **Convenient access panel for adjusting analogs and control relays**
- **Web interface: monitor without a master**
- **Ability to expand to 176 discretets/32 control relays with NetGuardian Expansion Units**
- **2-year hardware warranty**
- **30-DAY NO-RISK MONEY-BACK GUARANTEE**

Overview

The NetGuardian 832A 16S G5 is a powerful, compact LAN-based alarm collector that provides network managers with remote visibility of their IP network elements. With 32 ping alarms, 32 discrete alarms, 8 analog inputs, and 8 controls, this versatile unit is the ideal network monitoring solution.

If an element fails to respond to successive pings, or if anything goes wrong with the environmental controls, the NetGuardian 832A notifies personnel using a variety of methods with a complete status message. Notification types include SNMP Traps, alphanumeric pager, numeric pager, text message, TCP text, T/MonXM, and E-mail. The unit also stores up to 100 events in its event log.

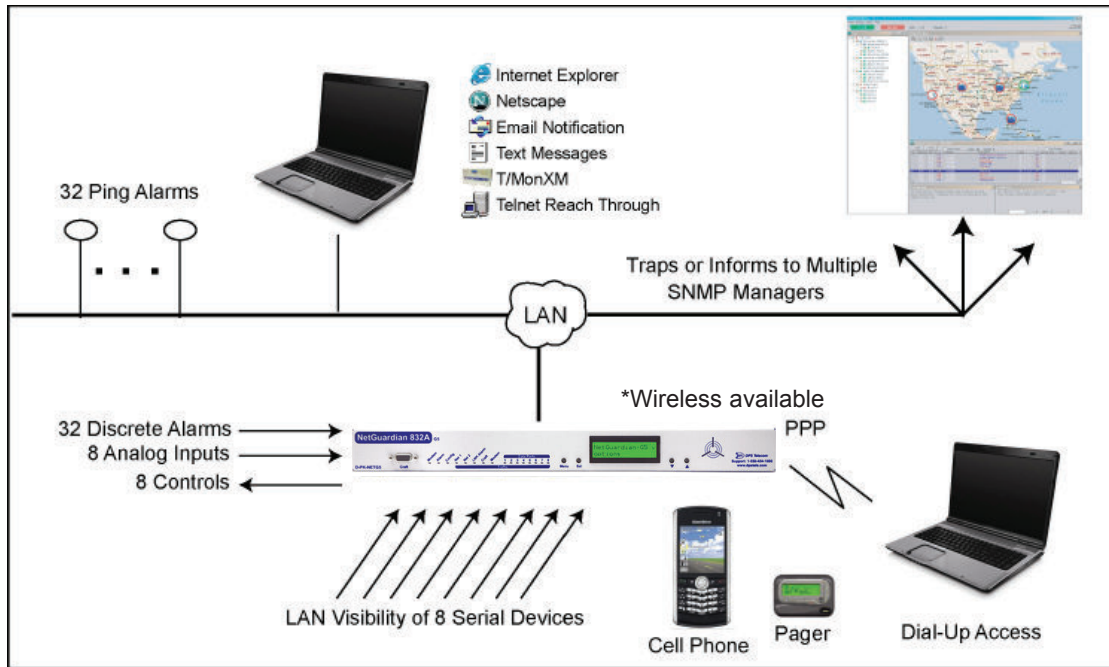
In addition to network and environmental alarms and controls, the NetGuardian also acts as a terminal server for 8 serial ports, thereby eliminating the need for dedicated circuits and the recurring monthly costs associated with such transports.

The NetGuardian 832A is easy to install, with connectors for all serial and LAN ports, alarm, analog, and control wiring. A hinged back panel with all wire wrap connections is also available for other installation options. The unit mounts quickly in either 19" or 23" equipment racks while occupying only one rack unit of space.

Provisioning of the NetGuardian 832A can be easily accomplished using any Web Browser or generic TTY terminal. This can be done on site, using the front panel craft port, or remotely via LAN (TELNET) or dial-up modem. The entire configuration is saved on the NetGuardian 832A where it remains secure through power outages in non-volatile RAM.

Additional options include a built-in sensor power supply, dual power feeds, integrated temperature and battery sensors, and external temperature sensor port.

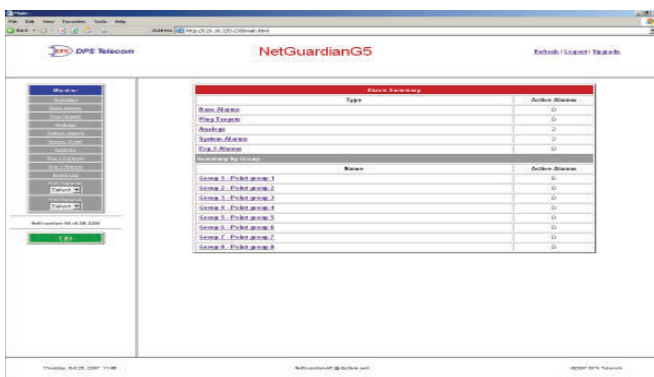
The versatility, capacity, and reliability of the NetGuardian 832A are the reasons why it is the standard for network alarm monitoring needs.



The NetGuardian 832A monitors IP aware devices' network presence as well as interfaces discrete alarm points and controls at network sites.

Stand-alone monitoring via Web Interface

The NetGuardian offers a Web Browser interface for easy and convenient alarm management and unit configuration via Internet or Intranet. The user friendly interface allows complete access to all the functions of the unit and enables the user to quickly set up alarm point descriptions, view alarm status, issue controls, and configure paging information, as well as additional options.



View and configure the NetGuardian via a Web Browser over LAN.

TTY Interface

In addition to the Web Browser interface, the NetGuardian provides a menu-style TTY interface for basic configuration, which may be accessed via the craft port, dial-up port or Telnet session via LAN.

Alarm Reporting

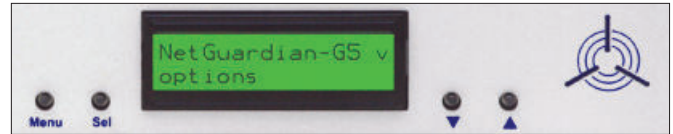
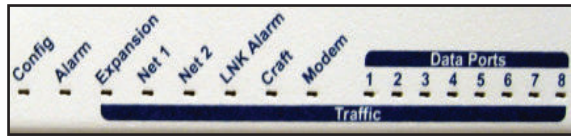
The NetGuardian 832A reports discrete alarms, relay status, analog alarms, and network equipment failures over the LAN/WAN to an SNMP manager or to the DPS Telecom T/Mon NOC Network Alarm Management System.

- **SNMP Trap Reporting** - The NetGuardian can report directly to an SNMP Manager and will respond to SNMP queries and commands. Multiple SNMP managers at multiple IP addresses are also supported by the NetGuardian. Communication may be achieved via PPP (dial-up) or LAN.
- **T/Mon NOC Support** - The NetGuardian 832A can also report to a T/Mon NOC Network Alarm Monitoring System via LAN and dedicated serial communications links. In case of primary path failure, the system will automatically fall back to the alternate path dial-up, ensuring alarm data won't be lost when it's needed most. The modems can also be used as the primary communication method for "Off Net" sites.

Reach-Through Ports

The NetGuardian's reach-through ports permit multiple Telnet sessions and a dial-up session to connect through to serial ports connected to the administration ports of your network equipment. This gives your staff the ability to assess and repair your network faster without having to be physically present at the network site. It is also cost effective because there is no need to purchase a dedicated terminal server.

Local display descriptively presents alarm conditions, while the speaker provides an audible alert.



Front panel LEDs give status indication of alarms, communication, and other activities.

The NetGuardian front panel provides audible notification, an LCD menu, and LED status indicators for fast diagnosis.

24/7 pager and email alerts

Out of the box, the NetGuardian 832A supports 24/7 pager and email reporting. Send alarms directly to maintenance technicians in the field, even when no one's in the office.

Dual NIC security model

For enhanced security, the NetGuardian 832A G5 has two 10/100 NICs. This allows you to connect the NetGuardian 832A to two separate networks, and allows users on separate networks to access the same unit.

SNMP v3 Informs for added message security

The NetGuardian 832A supports SNMP v2c and v3 Informs, as well as SNMP v3, v2c, and v1Traps. SNMP v3 Inform messages provide users with the most secure SNMP data transmission available. With encrypted messaging, only authorized devices can view trap data from the NetGuardian

NG Edit 5

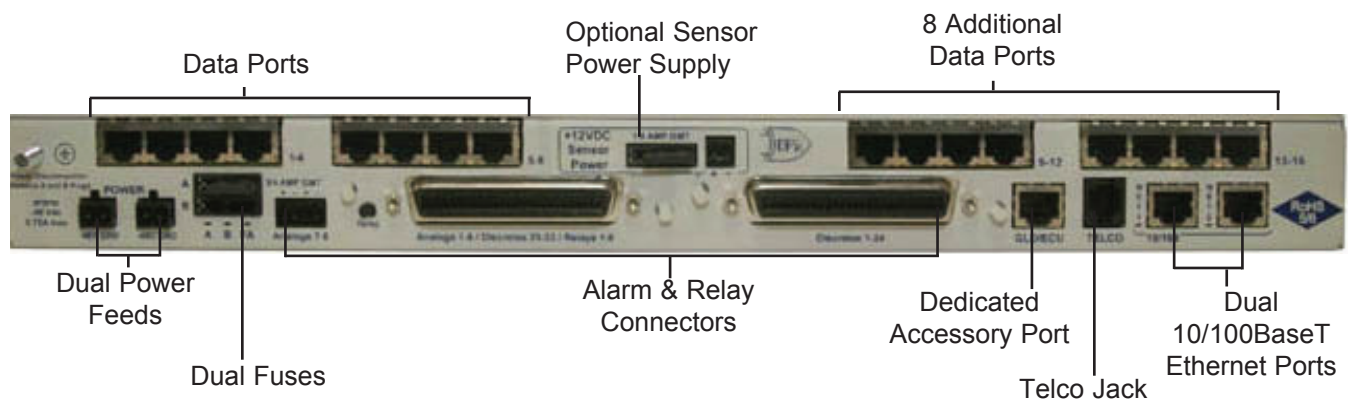
NG Edit 5 allows you to create configuration files without being connected to the NetGuardian. Download the files to the NetGuardian via LAN or upload current files for backup.

Optional Features

- **Wireless Connection (GSM or CDMA)** - Enables wireless alarm reporting as an alternate path or at very remote sites without wired transport.
- **Built-in sensor power supply*** - Eliminates the need for an additional power supply for your sensors (-12 or -24V).
- **Integrated temperature and battery sensors** - Eliminates the cost and setup time of installing external sensors.
- **External temperature sensor** - Allows you to attach a probe with a long lead to monitor temperatures from a specific area in your site- up to 50 feet away.
- **Hardened Industrial Version** - Designed to withstand the most extreme temperatures and conditions. Perfect for outside plant use.
- **Real-Time Clock** - Keep time during power failures to maintain consistent time stamps.

**Option only available when power input exceeds sensor supply output. (e.g. a NetGuardian with +12VDC input cannot support 12VDC output)*

Back Panel View



Accessories

NetGuardian Expansions

Up to 3 NetGuardian 832 DX expansions can be added to monitor sites with higher point capacity requirements.

Unit	Discrete Alarms	Controls	Analogs
NG 832A G5	32	8	8
+1 DX832 G5	64	16	16
+2 DX832 G5	96	24	24
+3 DX832 G5	128	32	32

The NetGuardian also supports a 48-point expansion, for alarm capacity in increments of 80, 126, and 176 alarm points.

Hinged Back Panels

The hinged **wire wrap** and **pluggable back panels** offers alternate connectivity options.



Pluggable Back Panel



Wire Wrap Back Panel

Specifications

Dimensions:	1.75" H x 17" W x 12.75" D (4.5 cm x 43.2 cm x 32.4 cm)
Weight:	4 lbs. 3 oz. (1.9 kg)
Power Input:	-48VDC (-40 to -56VDC) (Optional) -24 VDC (-18 to -36 VDC), (Optional) Wide Range -24/-48 VDC (-18 to -72 VDC) (Optional) ±12VDC (±12 to ±30VDC)
Current draw:	200mA at 48VDC 400mA at 24VDC
Power Output:	(Optional) 12 VDC or 24 VDC (@ 1 amp max) for external sensors*
Interfaces:	8 RJ45 Yost RS-232 ports (Other RS-485 and 202 modem options available) 2 RJ45 Ethernet 10/100BaseT port 1 RJ11 Telco jack 2 50-pin amphenol connectors (discretes, controls, and analogs) 2 SFP sockets (optional)

*Option available only when power input exceeds power output.

GLD Support

The optional GLD (General LCD Display) can be connected to the NetGuardian providing remote audible notification and LCD viewing and interaction. Up to three GLDs can be daisy-chained to the NetGuardian.



Building Access System

The Building Access System gives network alarm managers the ability to control and regulate door entry access.



D-PK-ECUG3

NetGuardian Site Dialer

Receiving & acknowledging alarm notifications from the field is easy with custom voice alerts to your home or cell phone.



D-PK-VBNGD

Test Set

Allows technicians to verify every discrete alarm input, control relay, and voltage-based analog alarm input.



D-PK-TSTBX-12005

Protocols:	SNMPv1, SNMPv2c, SNMPv3 or DCP (depending on firmware ordering options), TAP (Alpha) paging, and Numeric paging
Mounting:	19" or 23" rack
Modem:	33.6K internal
Discrete Alarm Inputs:	32
Control Outputs:	8 FormC
Max. Voltage:	60 VDC/120 VAC
Max. Current:	1 Amp, AC/DC
PPP:	Permanent, Backup, or On-demand
Ping Alarms:	32
Analog Alarms:	8
Input Range:	-92 to +92 VDC or 4 to 20 mA
Operating Temperature:	32° to 140°F (0°- 60°C) (Optional) Extended Range -22° to 158° F (-30° to 70° C)
Operating Humidity:	0% to 95% non-condensing
Fuse:	1.5 or 3/4 Amp GMT for power inputs (dependent on input option) 3/4 Amp GMT for external sensor power outputs and ethernet hub

Call 1-800-622-3314 for Pricing

All DPS Telecom products are made in Fresno, California and backed by our 30-Day, No-Risk Guarantee:

"If you buy our equipment and are not satisfied for any reason during the first 30 days, simply return it for a full refund."

Visit our website at www.dpstele.com

4955 East Yale Avenue, Fresno, California 93727 • 800-622-3314 • Fax 559-454-1688